

W E L C O M E



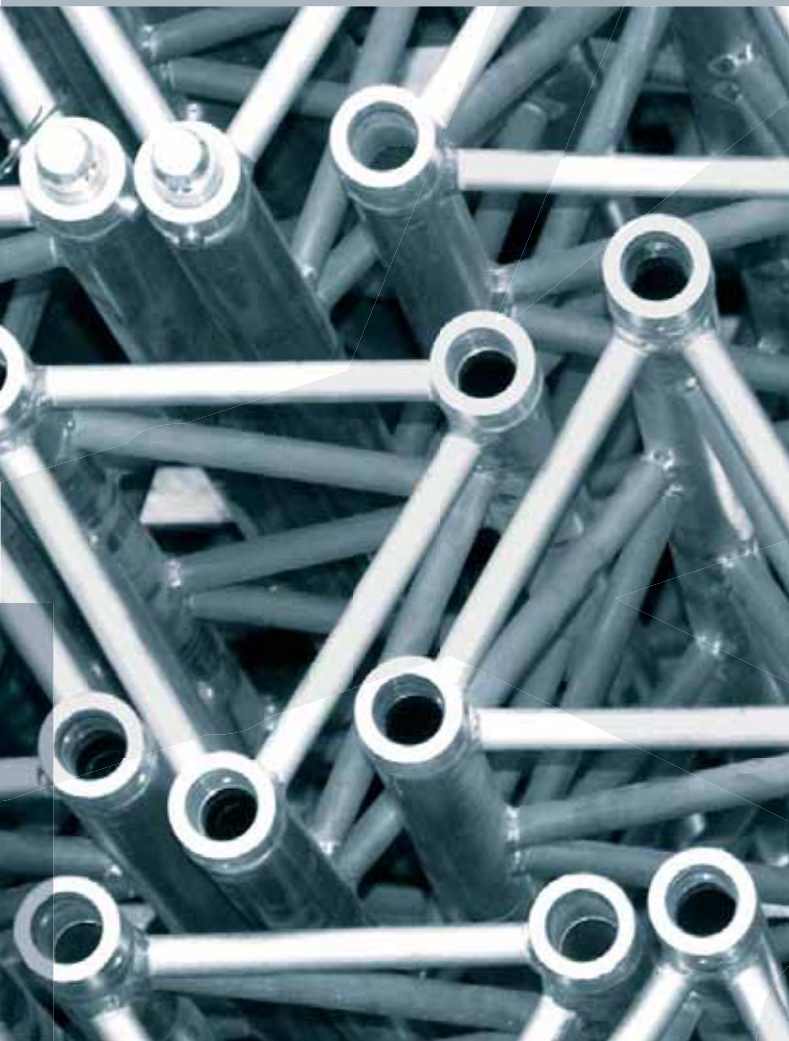
GLOBAL

Endless Possibilities

As one of the leading manufacturers of truss systems, Global Truss gives you a world of possibilities. Our products are used all over the globe in theatres, at concerts, exhibitions and many other events. Our expertise and know-how is your guarantee for a perfect result – and our high quality standards, combined with very competitive prices, are key factors in the best deal in the truss system market today.

15 Years and Stronger Than Ever

Our goal is to ensure our customers the best possible products at the best possible prices – without compromising quality and safety. Extensive testing, development and research is a vital part of the Global Truss identity, and striving to be the best and most innovative player on the market is our key to success. And, judging by our rapidly growing share of the market, the formula works!



© 2004 Global Truss bv.

All rights reserved. Global Truss bv. disclaims any liability for damage, losses or other consequences suffered or incurred in connection with the use of the measurements, data or other information contained in this catalogue. We reserve the rights to alter products, codes and technical information without prior notice. Reproduction, in any way, of this catalogue, including text photos and graphics, in part or in whole without permission from Global Truss bv., is prohibited.

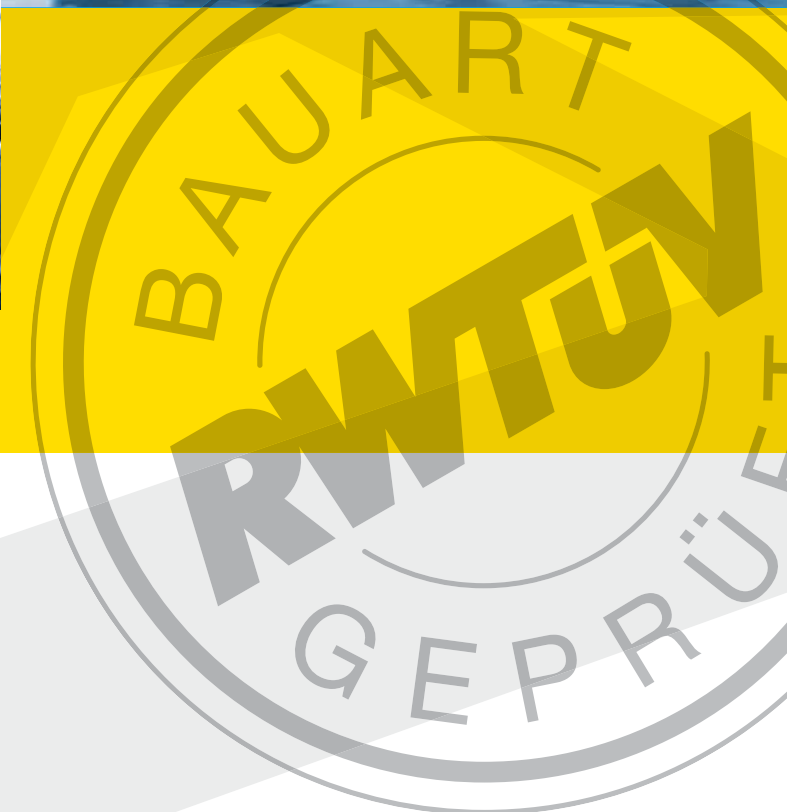
ALTERNATIVE TRUSSES

Effective Delivery

Global Truss is well known and respected for both our expertise and high quality standards. Furthermore, our production plants have more than 50 welders and a highly qualified service staff working around the clock to ensure you the fastest delivery possible.

Individual Design

If you wish to customise or design your own product, Global Truss can assist you in the process. Supply us with your designs and ideas – and we'll take it from there. The possibilities are – as we say – endless.



RWTÜV Certified Products

Global Truss products are RWTÜV certified. This, combined with our extensive quality control, gives you the certainty of reliable and safe-to-use products.



W E L C O M E



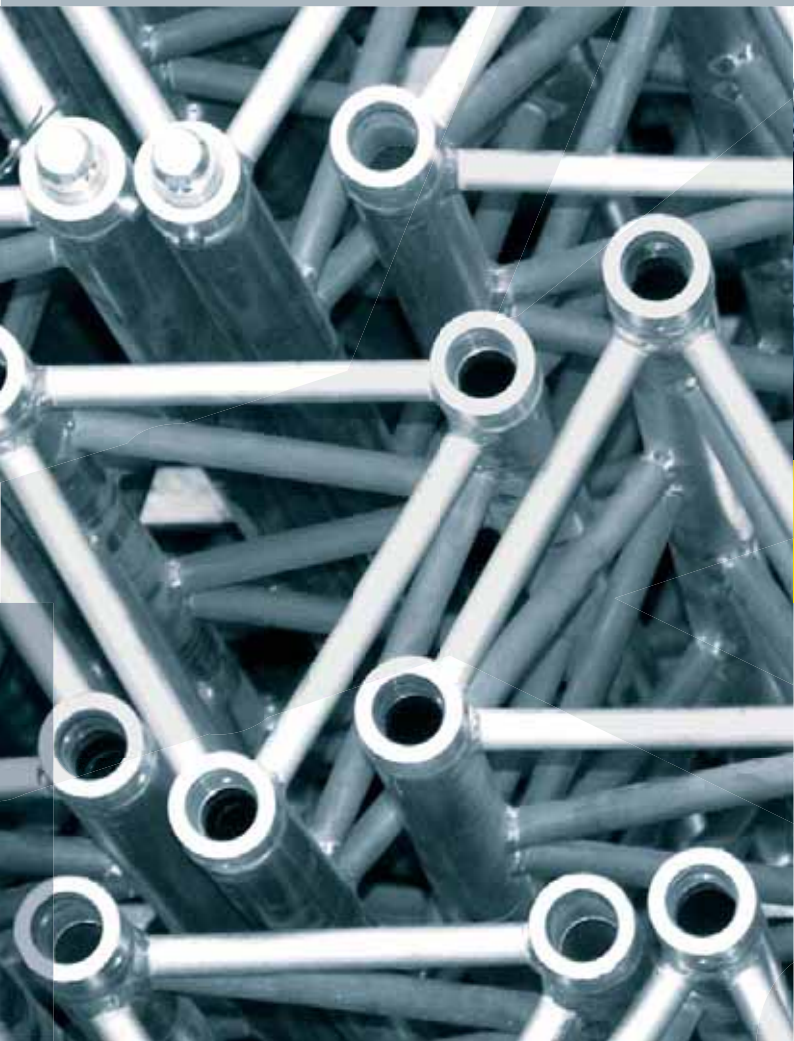
GLOBAL

Endless Possibilities

As one of the leading manufacturers of truss systems, Global Truss gives you a world of possibilities. Our products are used all over the globe in theatres, at concerts, exhibitions and many other events. Our expertise and know-how is your guarantee for a perfect result – and our high quality standards, combined with very competitive prices, are key factors in the best deal in the truss system market today.



15 Years and Stronger Than Ever

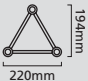
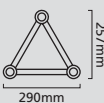
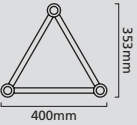
Our goal is to ensure our customers the best possible products at the best possible prices – without compromising quality and safety. Extensive testing, development and research is a vital part of the Global Truss identity, and striving to be the best and most innovative player on the market is our key to success. And, judging by our rapidly growing share of the market, the formula works!

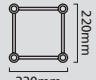
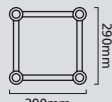
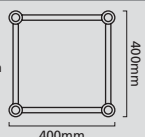
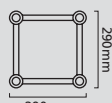
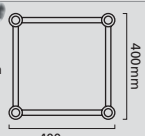


© 2004 Global Truss bv.

All rights reserved. Global Truss bv. disclaims any liability for damage, losses or other consequences suffered or incurred in connection with the use of the measurements, data or other information contained in this catalogue. We reserve the rights to alter products, codes and technical information without prior notice. Reproduction, in any way, of this catalogue, including text photos and graphics, in part or in whole without permission from Global Truss bv., is prohibited.

LADDER	<p>Main tube: Ø35mm x 1,5mm Alloy: EN AW-6060 T66 Braces: 8mm solid Alloy: EN AW-6060 T66 Connector: 5014 Steel pin: 5016</p> 	<p>Main tube: Ø50mm x 2mm Alloy: EN AW-6082 T6 Braces: Ø20mm x 2mm Alloy: EN AW-6082 T6 Connector: 5002 Steel pin: 5004</p> 	
	F22	F32	

TRIANGULAR	<p>Main tube: Ø35mm x 1,5mm Alloy: EN AW-6060 T66 Braces: 8mm solid Alloy: EN AW-6060 T66 Connector: 5014 Steel pin: 5016</p> 	<p>Main tube: Ø50mm x 2mm Alloy: EN AW-6082 T6 Braces: Ø20mm x 2mm Alloy: EN AW-6082 T6 Connector: 5002 Steel pin: 5004</p> 	<p>Main tube: Ø50mm x 2mm Alloy: EN AW-6082 T6 Braces: Ø25mm x 2,5mm Alloy: EN AW-6060 T66 Connector: 5002 Steel pin: 5004</p> 
	F23	F33	F43

QUADRANGULAR	<p>Main tube: Ø35mm x 1,5mm Alloy: EN AW-6060 T66 Braces: 8mm solid Alloy: EN AW-6060 T66 Connector: 5014 Steel pin: 5016</p> 	<p>Main tube: Ø50mm x 2mm Alloy: EN AW-6082 T6 Braces: Ø20mm x 2mm Alloy: EN AW-6082 T6 Connector: 5002 Steel pin: 5004</p> 	<p>Main tube: Ø50mm x 2mm Alloy: EN AW-6082 T6 Braces: Ø25mm x 2,5mm Alloy: EN AW-6060 T66 Connector: 5002 Steel pin: 5004</p> 
	F24	F34	F44
		<p>Main tube: Ø50mm x 3mm Alloy: EN AW-6082 T6 Braces: Ø20mm x 2m Alloy: EN AW 6082 T6 Connector: 5002 Steel pin: 5004</p> 	<p>Main tube: Ø50mm x 2mm Alloy: EN AW-6082 T6 Braces: Ø25mm x 2,5mm Alloy: EN AW-6060 T66 Connector: 5002 Steel pin: 5004</p> 
		F34P	F44P

FOLDING	<p>Main tube: Ø50mm x 4mm Alloy: EN AW-6082 T6 Braces: Ø25mm x 3mm Alloy: EN AW 6082 T6 Connector: 5017 Steel pin: 5018</p>  	F52F
		

LADDER



F32		Circle horizontal		
DIAMETER	SEGMENTS	ART. NR.		
1,5 m	1	401401-2		
2,0 m	2	401402-2		
3,0 m	2	401403-2		
4,0 m	4	401404-2		
5,0 m	4	401405-2		
6,0 m	6	401406-2		
7,0 m	6	401407-2		
8,0 m	8	401408-2		
9,0 m	8	401409-2		
10,0 m	10	401410-2		
11,0 m	10	401411-2		
12,0 m	12	401412-2		
13,0 m	12	401413-2		
14,0 m	12	401414-2		
15,0 m	12	401415-2		
16,0 m	14	401416-2		

Also available in other sizes and segments

F32		Circle vertical		
DIAMETER	SEGMENTS	ART. NR.		
1,5 m	1	401401-2V		
2,0 m	2	401402-2V		
3,0 m	2	401403-2V		
4,0 m	4	401404-2V		
5,0 m	4	401405-2V		
6,0 m	6	401406-2V		
7,0 m	6	401407-2V		
8,0 m	8	401408-2V		
9,0 m	8	401409-2V		
10,0 m	10	401410-2V		
11,0 m	10	401411-2V		
12,0 m	12	401412-2V		
13,0 m	12	401413-2V		
14,0 m	12	401414-2V		
15,0 m	12	401415-2V		
16,0 m	14	401416-2V		

Also available in other sizes and segments

F22		Straight		
LENGTH	WEIGHT	ART. NR.		
0,5 m	1,10 kg	96001		
1,0 m	1,86 kg	96002		
1,5 m	2,57 kg	96003		
2,0 m	3,30 kg	96004		
2,5 m	4,00 kg	96005		
3,0 m	4,70 kg	96006		
3,5 m	5,40 kg	96007		
4,0 m	6,11 kg	96008		
4,5 m	6,82 kg	96009		

F22		Baseplate	
SERIES	ART. NR.		
F22	96020		
F32	4074		

F32		Straight			LINE LOAD			POINT LOADS	
LENGTH	WEIGHT	ART. NR.	SPAN m	WEIGHT kg/m	DEFLECTION mm	LINE LOAD		POINT LOADS	
						WEIGHT	DEFLECTION	WEIGHT	DEFLECTION
			m	kg/m	mm	kg	mm		
0,5 m	2,11 kg	4048	2,0	130		200			
1,0 m	3,10 kg	4049	3,0	96		184			
1,5 m	4,11 kg	4050	4,0	75		150			
2,0 m	5,10 kg	4051	5,0	47		135			
2,5 m	6,10 kg	4052	6,0	35		100			
3,0 m	7,10 kg	4053							
3,5 m	8,09 kg	4054							
4,0 m	9,09 kg	4055							
4,5 m	10,03 kg	4056							
5,0 m	11,08 kg	4057							



		H21 2-way horizontal corner							
		<table border="1"> <thead> <tr> <th>SERIES</th> <th>WEIGHT</th> <th>ART. NR.</th> </tr> </thead> <tbody> <tr> <td>F22</td> <td></td> <td>96012-21H</td> </tr> <tr> <td>F32</td> <td>2,8 kg</td> <td>4060-21H</td> </tr> </tbody> </table>	SERIES	WEIGHT	ART. NR.	F22		96012-21H	F32
SERIES	WEIGHT	ART. NR.							
F22		96012-21H							
F32	2,8 kg	4060-21H							
500	500	90°							

		H35 3-way horizontal T							
		<table border="1"> <thead> <tr> <th>SERIES</th> <th>WEIGHT</th> <th>ART. NR.</th> </tr> </thead> <tbody> <tr> <td>F22</td> <td></td> <td>96016-36H</td> </tr> <tr> <td>F32</td> <td>3,8 kg</td> <td>4068-35H</td> </tr> </tbody> </table>	SERIES	WEIGHT	ART. NR.	F22		96016-36H	F32
SERIES	WEIGHT	ART. NR.							
F22		96016-36H							
F32	3,8 kg	4068-35H							
500	500								

		H31 3-way horizontal corner							
		<table border="1"> <thead> <tr> <th>SERIES</th> <th>WEIGHT</th> <th>ART. NR.</th> </tr> </thead> <tbody> <tr> <td>F22</td> <td></td> <td>96015-31H</td> </tr> <tr> <td>F32</td> <td>4,7 kg</td> <td>4063-31H</td> </tr> </tbody> </table>	SERIES	WEIGHT	ART. NR.	F22		96015-31H	F32
SERIES	WEIGHT	ART. NR.							
F22		96015-31H							
F32	4,7 kg	4063-31H							
500	500	500							

		H41 4-way horizontal cross							
		<table border="1"> <thead> <tr> <th>SERIES</th> <th>WEIGHT</th> <th>ART. NR.</th> </tr> </thead> <tbody> <tr> <td>F22</td> <td></td> <td>96017-41H</td> </tr> <tr> <td>F32</td> <td>4,7 kg</td> <td>4072-41H</td> </tr> </tbody> </table>	SERIES	WEIGHT	ART. NR.	F22		96017-41H	F32
SERIES	WEIGHT	ART. NR.							
F22		96017-41H							
F32	4,7 kg	4072-41H							
500	500								

		V21 2-way vertical corner							
		<table border="1"> <thead> <tr> <th>SERIES</th> <th>WEIGHT</th> <th>ART. NR.</th> </tr> </thead> <tbody> <tr> <td>F22</td> <td></td> <td>96012-21V</td> </tr> <tr> <td>F32</td> <td>3,1 kg</td> <td>4060-21V</td> </tr> </tbody> </table>	SERIES	WEIGHT	ART. NR.	F22		96012-21V	F32
SERIES	WEIGHT	ART. NR.							
F22		96012-21V							
F32	3,1 kg	4060-21V							
500	500	90°							



		V36 3-way vertical T							
		<table border="1"> <thead> <tr> <th>SERIES</th> <th>WEIGHT</th> <th>ART. NR.</th> </tr> </thead> <tbody> <tr> <td>F22</td> <td></td> <td>96016-36V</td> </tr> <tr> <td>F32</td> <td>4,1 kg</td> <td>4068-35V</td> </tr> </tbody> </table>	SERIES	WEIGHT	ART. NR.	F22		96016-36V	F32
SERIES	WEIGHT	ART. NR.							
F22		96016-36V							
F32	4,1 kg	4068-35V							
500	500								


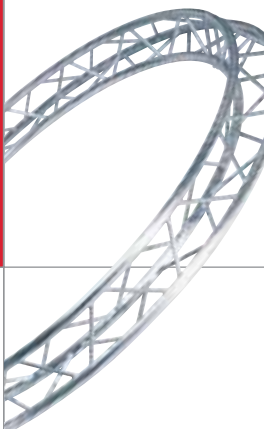
		V41 4-way vertical cross							
		<table border="1"> <thead> <tr> <th>SERIES</th> <th>WEIGHT</th> <th>ART. NR.</th> </tr> </thead> <tbody> <tr> <td>F22</td> <td></td> <td>96017-41V</td> </tr> <tr> <td>F32</td> <td>4,2 kg</td> <td>4072-41V</td> </tr> </tbody> </table>	SERIES	WEIGHT	ART. NR.	F22		96017-41V	F32
SERIES	WEIGHT	ART. NR.							
F22		96017-41V							
F32	4,2 kg	4072-41V							
500	500								

		V31 3-way vertical corner							
		<table border="1"> <thead> <tr> <th>SERIES</th> <th>WEIGHT</th> <th>ART. NR.</th> </tr> </thead> <tbody> <tr> <td>F22</td> <td></td> <td>96015-31V</td> </tr> <tr> <td>F32</td> <td>4,5 kg</td> <td>4063-31V</td> </tr> </tbody> </table>	SERIES	WEIGHT	ART. NR.	F22		96015-31V	F32
SERIES	WEIGHT	ART. NR.							
F22		96015-31V							
F32	4,5 kg	4063-31V							
500	500	500							


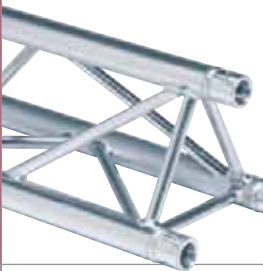
TRIANGULAR





		F23	Straight		
	LENGTH	WEIGHT	ART. NR.		
	0,5 m	2,0 kg	96101		
	1,0 m	3,3 kg	96102		
	1,5 m	4,6 kg	96103		
	2,0 m	5,9 kg	96104		
	2,5 m	7,2 kg	96105		
	3,0 m	8,5 kg	96106		
	3,5 m	9,8 kg	96107		
	4,0 m	11,1 kg	96108		
	4,5 m	12,4 kg	96109		


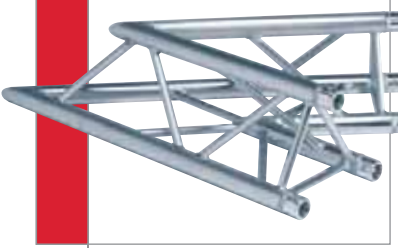
		F33	Circle		
	DIAMETER	SEGMENTS	ART. NR.		
	1,5 m	1	401401		
	2,0 m	2	401402		
	3,0 m	2	401403		
	4,0 m	4	401404		
	5,0 m	4	401405		
	6,0 m	6	401406		
	7,0 m	6	401407		
	8,0 m	8	401408		
	9,0 m	8	401409		
	10,0 m	10	401410		
	11,0 m	10	401411		
	12,0 m	12	401412		
	13,0 m	12	401413		
	14,0 m	12	401414		
15,0 m	12	401415			
	16,0 m	14	401416		


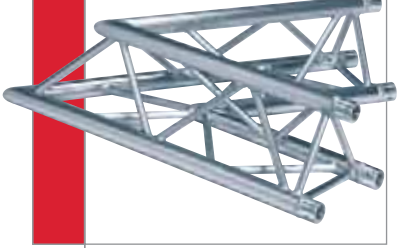
Also available in other sizes and segments



		F33	Straight			LOADS										
		LENGTH WEIGHT ART. NR.			LINE LOAD				POINT LOADS							
					UNIFORM		CENTRAL		UNIFORM		CENTRAL		UNIFORM		CENTRAL	
					WEIGHT	DEFLECTION	WEIGHT	DEFLECTION	WEIGHT	DEFLECTION	WEIGHT	DEFLECTION	WEIGHT	DEFLECTION	WEIGHT	DEFLECTION
SPAN	kg/m	mm	kg	mm	kg	mm	kg	mm	kg	mm	kg	mm	kg	mm		
1,0	1904	0	780	0	710	0	600	0	476	0						
2,0	870	3	600	4	520	5	411	3	361	3						
3,0	384	7	488	7	411	7	288	6	239	7						
4,0	215	13	411	9	321	12	214	11	178	12						
5,0	135	18	340	15	254	19	169	17	140	19						
6,0	93	26	279	21	209	27	139	25	115	27						
7,0	67	36	235	29	176	37	117	34	97	37						
8,0	50	47	202	37	151	48	101	44	84	48						
9,0	39	59	176	47	132	60	88	56	77	60						
10,0	31	73	154	58	116	75	77	69	64	75						
11,0	24	88	136	71	102	90	68	84	56	90						
12,0	20	105	121	84	91	107	60	100	50	107						



		F43	Straight			LOADS										
		LENGTH ART. NR.			LINE LOAD				POINT LOADS							
					UNIFORM		CENTRAL		UNIFORM		CENTRAL		UNIFORM		CENTRAL	
					WEIGHT	DEFLECTION	WEIGHT	DEFLECTION	WEIGHT	DEFLECTION	WEIGHT	DEFLECTION	WEIGHT	DEFLECTION	WEIGHT	DEFLECTION
SPAN	kg/m	mm	kg	mm	kg	mm	kg	mm	kg	mm	kg	mm	kg	mm		
2,0	689	1	487	1	449	1	389	1	359	1						
3,0	476	4	432	1	389	3	323	3	293	3						
4,0	316	10	389	4	343	6	277	6	247	6						
5,0	200	12	353	10	306	10	242	10	208	10						
6,0	138	18	323	12	277	16	207	14	172	15						
7,0	100	24	298	16	253	22	176	20	146	19						
8,0	76	31	277	23	228	32	152	24	126	25						
9,0	72	47	258	30	200	39	133	30	111	31						
10,0	47	50	236	38	177	48	118	36	98	37						
11,0	38	55	211	45	158	57	105	43	87	44						
12,0	32	66	189	52	142	66	95	50	79	52						
13,0	26	74	171	60	128	76	85	57	71	59						
14,0	22	84	155	68	116	86	77	65	64	67						
15,0	19	95	141	76	106	97	70	72	58	75						





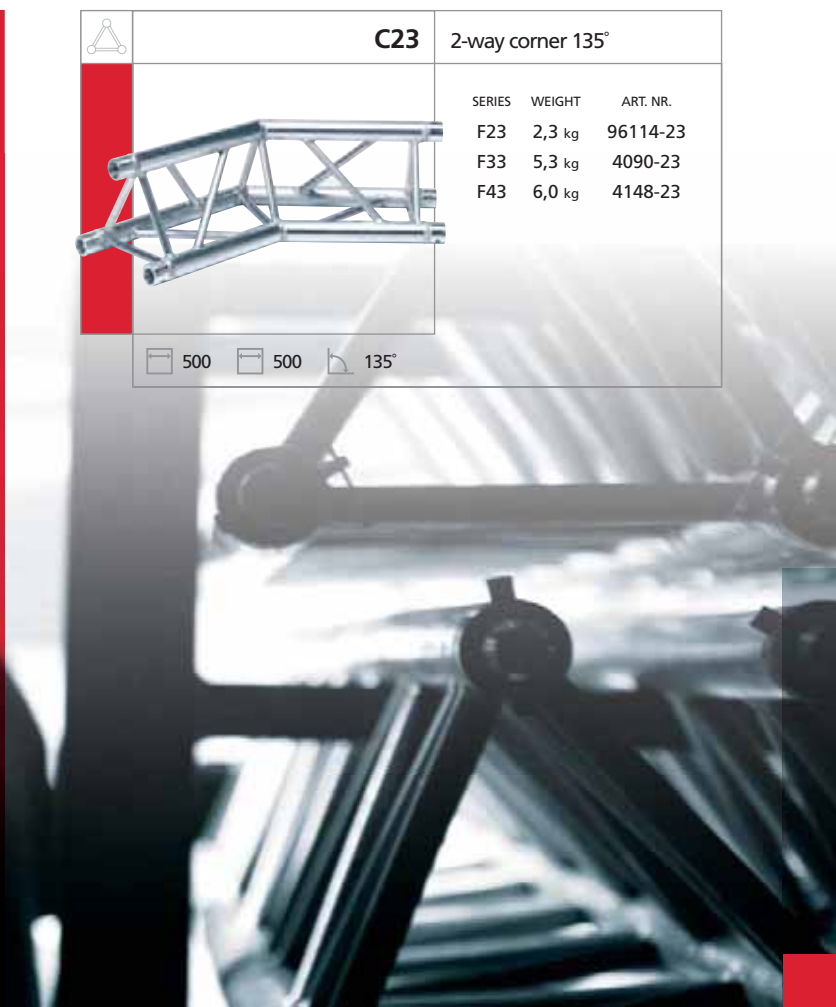
	C19	2-way corner 45°	
	SERIES	WEIGHT	ART. NR.
	F23	3,0 kg	96110-19
	F33	7,0 kg	4086-19
	F43	8,3 kg	4148-19
F23 / F33 F43	1000 1250	1000 1250	45° 45°

	C20	2-way corner 60°	
	SERIES	WEIGHT	ART. NR.
	F23	3,5 kg	96111-20
	F33	7,3 kg	4087-20
	F43	7,8 kg	4148-20
	1000	1000	60°

	C21	2-way corner 90°	
	SERIES	WEIGHT	ART. NR.
	F23	1,8 kg	96112-21
	F33	4,3 kg	4088-21
	F43	4,6 kg	4148-21
	500	500	90°

	C22	2-way corner 120°	
	SERIES	WEIGHT	ART. NR.
	F23	2,0 kg	96113-22
	F33	4,3 kg	4089-22
	F43	7,9 kg	4148-22
	500	500	120°

	C23	2-way corner 135°	
	SERIES	WEIGHT	ART. NR.
	F23	2,3 kg	96114-23
	F33	5,3 kg	4090-23
	F43	6,0 kg	4148-23
	500	500	135°



TRIANGULAR



	C24	2-way corner 90° apex up												
	<table border="1"> <thead> <tr> <th>SERIES</th> <th>WEIGHT</th> <th>ART. NR.</th> </tr> </thead> <tbody> <tr> <td>F23</td> <td>1,7 kg</td> <td>96115-24</td> </tr> <tr> <td>F33</td> <td>4,2 kg</td> <td>4092-24</td> </tr> <tr> <td>F43</td> <td>4,1 kg</td> <td>4148-24</td> </tr> </tbody> </table>	SERIES	WEIGHT	ART. NR.	F23	1,7 kg	96115-24	F33	4,2 kg	4092-24	F43	4,1 kg	4148-24	
SERIES	WEIGHT	ART. NR.												
F23	1,7 kg	96115-24												
F33	4,2 kg	4092-24												
F43	4,1 kg	4148-24												







	C25	2-way corner 90° apex down												
	<table border="1"> <thead> <tr> <th>SERIES</th> <th>WEIGHT</th> <th>ART. NR.</th> </tr> </thead> <tbody> <tr> <td>F23</td> <td>1,8 kg</td> <td>96116-25</td> </tr> <tr> <td>F33</td> <td>4,6 kg</td> <td>4091-25</td> </tr> <tr> <td>F43</td> <td>4,9 kg</td> <td>4148-25</td> </tr> </tbody> </table>	SERIES	WEIGHT	ART. NR.	F23	1,8 kg	96116-25	F33	4,6 kg	4091-25	F43	4,9 kg	4148-25	
SERIES	WEIGHT	ART. NR.												
F23	1,8 kg	96116-25												
F33	4,6 kg	4091-25												
F43	4,9 kg	4148-25												







	L31	3-way corner 90° apex up right												
	<table border="1"> <thead> <tr> <th>SERIES</th> <th>WEIGHT</th> <th>ART. NR.</th> </tr> </thead> <tbody> <tr> <td>F23</td> <td>2,6 kg</td> <td>96118-31</td> </tr> <tr> <td>F33</td> <td>6,4 kg</td> <td>4094-31</td> </tr> <tr> <td>F43</td> <td>6,3 kg</td> <td>4150-31</td> </tr> </tbody> </table>	SERIES	WEIGHT	ART. NR.	F23	2,6 kg	96118-31	F33	6,4 kg	4094-31	F43	6,3 kg	4150-31	
SERIES	WEIGHT	ART. NR.												
F23	2,6 kg	96118-31												
F33	6,4 kg	4094-31												
F43	6,3 kg	4150-31												





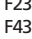





	L32	3-way corner 90° apex up left												
	<table border="1"> <thead> <tr> <th>SERIES</th> <th>WEIGHT</th> <th>ART. NR.</th> </tr> </thead> <tbody> <tr> <td>F23</td> <td>2,6 kg</td> <td>96118-32</td> </tr> <tr> <td>F33</td> <td>6,4 kg</td> <td>4094-32</td> </tr> <tr> <td>F43</td> <td>6,3 kg</td> <td>4150-32</td> </tr> </tbody> </table>	SERIES	WEIGHT	ART. NR.	F23	2,6 kg	96118-32	F33	6,4 kg	4094-32	F43	6,3 kg	4150-32	
SERIES	WEIGHT	ART. NR.												
F23	2,6 kg	96118-32												
F33	6,4 kg	4094-32												
F43	6,3 kg	4150-32												





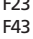
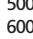
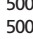









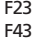











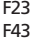





	L33	3-way corner apex down right	
	SERIES	WEIGHT	ART. NR.
	F23	2,7 kg	96117-33
	F33	6,5 kg	4093-33
	F43	6,8 kg	4149-33
 500  500  500  90°			

	L34	3-way corner apex down left	
	SERIES	WEIGHT	ART. NR.
	F23	2,7 kg	96117-34
	F33	6,5 kg	4093-34
	F43	6,8 kg	4149-34
 500  500  500  90°			

	T35	3-way vertical T apex down	
	SERIES	WEIGHT	ART. NR.
	F23	2,3 kg	96119-35
	F33	6,3 kg	4096-35
	F43	6,6 kg	4152-35
 500  500  F23 / F33  500  600  F43  500  600			

	T36	3-way horizontal T	
	SERIES	WEIGHT	ART. NR.
	F23	2,0 kg	96119-36
	F33	6,3 kg	4096-36
	F43	5,6 kg	4152-36
 500  500  F23 / F33  500  600  F43  600  500			

	T37	3-way vertical T apex up	
	SERIES	WEIGHT	ART. NR.
	F23	2,0 kg	96119-37
	F33	6,9 kg	4096-37
	F43	5,6 kg	4152-37
 500  500  F23 / F33  500  600  F43  500  600			

	T38	3-way vertical T apex down	
	SERIES	WEIGHT	ART. NR.
	F23	2,1 kg	96119-38
	F33	7,0 kg	4096-38
	F43	6,1 kg	4152-38
 500  500  F23 / F33  500  600  F43  500  600			

TRIANGULAR




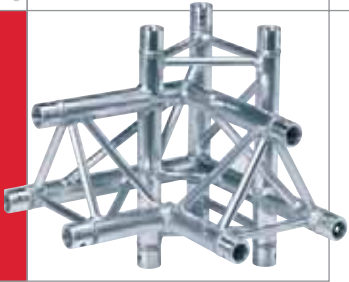




	T39	3-way vertical T apex up											
		<table border="1"> <thead> <tr> <th>SERIES</th> <th>WEIGHT</th> <th>ART. NR.</th> </tr> </thead> <tbody> <tr> <td>F23</td> <td>2,1 kg</td> <td>96119-39</td> </tr> <tr> <td>F33</td> <td>6,85 kg</td> <td>4096-39</td> </tr> <tr> <td>F43</td> <td>5,9 kg</td> <td>4152-39</td> </tr> </tbody> </table>	SERIES	WEIGHT	ART. NR.	F23	2,1 kg	96119-39	F33	6,85 kg	4096-39	F43	5,9 kg
SERIES	WEIGHT	ART. NR.											
F23	2,1 kg	96119-39											
F33	6,85 kg	4096-39											
F43	5,9 kg	4152-39											
	<table border="1"> <thead> <tr> <th></th> <th></th> <th></th> </tr> </thead> <tbody> <tr> <td>F23 / F33</td> <td>500</td> <td>500</td> </tr> <tr> <td>F43</td> <td>500</td> <td>600</td> </tr> </tbody> </table>				F23 / F33	500	500	F43	500	600			
F23 / F33	500	500											
F43	500	600											







	C41	4-way cross											
		<table border="1"> <thead> <tr> <th>SERIES</th> <th>WEIGHT</th> <th>ART. NR.</th> </tr> </thead> <tbody> <tr> <td>F23</td> <td>2,3 kg</td> <td>96120-41</td> </tr> <tr> <td>F33</td> <td>7,35 kg</td> <td>4100-41</td> </tr> <tr> <td>F43</td> <td>6,2 kg</td> <td>4156-41</td> </tr> </tbody> </table>	SERIES	WEIGHT	ART. NR.	F23	2,3 kg	96120-41	F33	7,35 kg	4100-41	F43	6,2 kg
SERIES	WEIGHT	ART. NR.											
F23	2,3 kg	96120-41											
F33	7,35 kg	4100-41											
F43	6,2 kg	4156-41											
	<table border="1"> <thead> <tr> <th></th> <th></th> <th></th> </tr> </thead> <tbody> <tr> <td>F23 / F33</td> <td>500</td> <td>500</td> </tr> <tr> <td>F43</td> <td>600</td> <td>600</td> </tr> </tbody> </table>				F23 / F33	500	500	F43	600	600			
F23 / F33	500	500											
F43	600	600											





	T42	4-way T apex down												
		<table border="1"> <thead> <tr> <th>SERIES</th> <th>WEIGHT</th> <th>ART. NR.</th> </tr> </thead> <tbody> <tr> <td>F23</td> <td>2,1 kg</td> <td>96121-42</td> </tr> <tr> <td>F33</td> <td>8,7 kg</td> <td>4097-42</td> </tr> <tr> <td>F43</td> <td>7,8 kg</td> <td>4153-42</td> </tr> </tbody> </table>	SERIES	WEIGHT	ART. NR.	F23	2,1 kg	96121-42	F33	8,7 kg	4097-42	F43	7,8 kg	4153-42
SERIES	WEIGHT	ART. NR.												
F23	2,1 kg	96121-42												
F33	8,7 kg	4097-42												
F43	7,8 kg	4153-42												
	<table border="1"> <thead> <tr> <th></th> <th></th> <th></th> <th></th> </tr> </thead> <tbody> <tr> <td>F23 / F33</td> <td>500</td> <td>500</td> <td>500</td> </tr> <tr> <td>F43</td> <td>500</td> <td>600</td> <td>500</td> </tr> </tbody> </table>					F23 / F33	500	500	500	F43	500	600	500	
F23 / F33	500	500	500											
F43	500	600	500											






	T43	4-way T apex up												
		<table border="1"> <thead> <tr> <th>SERIES</th> <th>WEIGHT</th> <th>ART. NR.</th> </tr> </thead> <tbody> <tr> <td>F23</td> <td>2,7 kg</td> <td>96122-43</td> </tr> <tr> <td>F33</td> <td>8,5 kg</td> <td>4098-43</td> </tr> <tr> <td>F43</td> <td>7,1 kg</td> <td>4154-43</td> </tr> </tbody> </table>	SERIES	WEIGHT	ART. NR.	F23	2,7 kg	96122-43	F33	8,5 kg	4098-43	F43	7,1 kg	4154-43
SERIES	WEIGHT	ART. NR.												
F23	2,7 kg	96122-43												
F33	8,5 kg	4098-43												
F43	7,1 kg	4154-43												
	<table border="1"> <thead> <tr> <th></th> <th></th> <th></th> <th></th> </tr> </thead> <tbody> <tr> <td>F23 / F33</td> <td>500</td> <td>500</td> <td>500</td> </tr> <tr> <td>F43</td> <td>500</td> <td>600</td> <td>500</td> </tr> </tbody> </table>					F23 / F33	500	500	500	F43	500	600	500	
F23 / F33	500	500	500											
F43	500	600	500											













	C44	4-way corner 90° right	
	SERIES	WEIGHT	ART. NR.
	F23	2,8 kg	96122-44
	F33	8,6 kg	4098-44
	F43	8,1 kg	4151-44
	   	500	500
F23 / F33	500	500	90°
F43	600	500	90°






	C45	4-way corner 90° left	
	SERIES	WEIGHT	ART. NR.
	F23	2,8 kg	96123-45
	F33	8,6 kg	4095-45
	F43	8,1 kg	4151-45
	   	500	500
F23 / F33	500	500	90°
F43	600	500	90°

	T47	4-way cross	
	SERIES	WEIGHT	ART. NR.
	F23	2,4 kg	96123-47
	F33	7,1 kg	4098-47
	F43	7,4 kg	4154-47
	 	500	500
F23 / F33	500	500	
F43	600	600	

	C51	5-way T	
	SERIES	WEIGHT	ART. NR.
	F23	2,4 kg	96124-51
	F33	9,9 kg	4099-51
	F43	8,7 kg	4155-51
	  	500	500
F23 / F33	500	500	
F43	600	500	

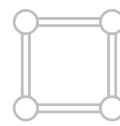
	C52	5-way cross down apex up	
	SERIES	WEIGHT	ART. NR.
	F23	3,0 kg	96125-52
	F33	10,3 kg	4102-52
	F43	7,7 kg	4158-52
	  	500	500
F23 / F33	500	500	
F43	500	600	

	C53	5-way cross down apex up	
	SERIES	WEIGHT	ART. NR.
	F23	3,0 kg	96126-53
	F33	10,4 kg	4101-53
	F43	8,2 kg	4157-53
	  	500	500
F23 / F33	500	500	
F43	500	600	

	T61	6-way T	
	SERIES	WEIGHT	ART. NR.
	F23	3,3 kg	96127-61
	F33	11,0 kg	4103-61
	F43	9,3 kg	4159-61
	  	500	500
F23 / F33	500	500	
F43	600	600	

	Baseplate	
	SERIES	ART. NR.
	F23	96129
	F33	4108
	F43	4160

QUADRANGULAR



F24 Straight	
	LENGTH WEIGHT ART. NR.
	0,5 m 2,6 kg 96200
	1,0 m 4,4 kg 96202
	1,5 m 6,13 kg 96203
	2,0 m 7,86 kg 96204
	2,5 m 9,6 kg 96205
	3,0 m 11,33 kg 96206
	3,5 m 13,07 kg 96207
4,0 m 14,8 kg 96208	







F34 Circle	
	DIAMETER SEGMENTS ART. NR.
	1,5 m 1 401401-4
	2,0 m 2 401402-4
	3,0 m 2 401403-4
	4,0 m 4 401404-4
	5,0 m 4 401405-4
	6,0 m 6 401406-4
	7,0 m 6 401407-4
	8,0 m 8 401408-4
	9,0 m 8 401409-4
	10,0 m 10 401410-4
	11,0 m 10 401411-4
	12,0 m 12 401412-4
	13,0 m 12 401413-4
14,0 m 12 401414-4	
15,0 m 12 401415-4	
16,0 m 14 401416-4	







Also available in other sizes and segments

F34 Straight		LINE LOAD			POINT LOADS									
	LENGTH WEIGHT ART. NR.													
		SPAN	WEIGHT	DEFLECTION	WEIGHT	DEFLECTION	WEIGHT	DEFLECTION	WEIGHT	DEFLECTION	WEIGHT	DEFLECTION		
	m	kg/m	mm	kg	mm	kg	mm	kg	mm	kg	mm			
	0,5 m	5,0 kg	4109	2,0	1136	0,1	2000	2	1136	2	757	1,5	568	1
	1,0 m	7,3 kg	4110	3,0	756	1	1344	4	1009	5,3	672	4	558	4
	1,5 m	9,6 kg	4111	4,0	502	10	1005	7,5	753	10	502	7	417	7,3
	2,0 m	12,0 kg	4112	5,0	320	14	800	11,5	600	15	400	11	333	11,5
	2,5 m	14,0 kg	4113	6,0	221	20	663	16	497	21	331	15,7	275	16,3
	3,0 m	16,4 kg	4114	7,0	160	27	564	22	423	28	282	21,5	234	23,3
	3,5 m	18,7 kg	4115	8,0	122	35	490	28,5	367	43	245	27,3	203	28,5
	4,0 m	21,0 kg	4116	9,0	95	44	432	36	324	46	216	34,5	179	36
	4,5 m	23,3 kg	4117	10,0	76	54	385	44	288	56	192	42	159	43,5
5,0 m	25,5 kg	4118	11,0	62	65	346	52	259	66	173	50	143	52	
			12,0	51	75	313	61	235	77	156	59	130	61	

F44 Straight		LINE LOAD			POINT LOADS									
	LENGTH WEIGHT ART. NR.													
		SPAN	WEIGHT	DEFLECTION	WEIGHT	DEFLECTION	WEIGHT	DEFLECTION	WEIGHT	DEFLECTION	WEIGHT	DEFLECTION		
	m	kg/m	mm	kg	mm	kg	mm	kg	mm	kg	mm			
	0,5 m	5,60 kg	4161	4,0	457	5,8	411	2,1	381	3,3	332	3,3	307	3,8
	1,0 m	8,56 kg	4162	5,0	351	11	388	3,9	355	6	302	5,8	277	6,6
	1,5 m	11,52 kg	4163	6,0	274	17,7	367	6,3	332	9,7	278	9,2	252	10,4
	2,0 m	14,92 kg	4164	7,0	217	26	348	9,5	311	14,5	257	13,5	232	15,2
	2,5 m	17,63 kg	4165	8,0	176	36	332	13,5	294	20,4	239	18,7	214	21,1
	3,0 m	20,78 kg	4166	9,0	142	46,4	316	18,3	278	28,4	223	24,9	199	27,9
	3,5 m	23,71 kg	4167	10,0	114	56,7	302	24,1	263	35,8	209	32,1	186	35,6
	4,0 m	22,66 kg	4168	11,0	94	68,6	289	30,7	250	45,4	197	40,3	175	44,6
	4,5 m	29,61 kg	4169	12,0	78	80,6	278	38,3	239	56,1	186	79,4	164	54,5
5,0 m	32,99 kg	4170	13,0	66	93,9	267	46,8	228	68	177	59,5	155	65,1	
			14,0	56	107	257	56,2	218	81,2	168	70,5	147	77,2	
			15,0	49	123	247	66,4	209	96,2	160	82,6	140	90,4	

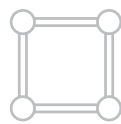


	F34P Straight			LINE LOAD				POINT LOADS							
															
				SPAN	WEIGHT	DEFLECTION	WEIGHT	DEFLECTION	WEIGHT	DEFLECTION	WEIGHT	DEFLECTION	WEIGHT	DEFLECTION	
m	kg/m	mm	kg	mm	kg	mm	kg	mm	kg	mm					
2,0	1136	1	2022	2	1136	2	757	1,5	568	1					
3,0	756	1	1344	4	1009	5	672	4	558	4					
4,0	502	10	993	7,3	752	9,4	502	7,1	417	7,3					
5,0	319	14,3	785	11,2	598	14,6	399	11	331	11,4					
6,0	220	20	645	15,9	495	20,8	330	15,7	274	16,3					
7,0	160	27,4	561	22	421	28,2	281	21,2	233	21,9					
8,0	122	35,4	487	28,5	364	42,5	243	27,3	202	28,4					
9,0	95	44,6	427	35,6	321	45,6	214	34,3	178	35,6					
10,0	76	54,4	380	43,5	285	55,6	190	41,7	158	43,3					
11,0	62	65	340	51,8	256	66,4	170	49,7	142	51,9					
12,0	51	75,6	308	61	231	76,8	154	58,5	128	60,7					
13,0	43	87,8	279	70,1	209	89,5	140	67,6	116	70					
14,0	36	98,9	254	79,8	191	102,2	127	76,6	106	79,9					
15,0	31	112,2	233	90	174	114,5	116	86	97	89,9					

	F44P Straight			LINE LOAD				POINT LOADS							
															
				SPAN	WEIGHT	DEFLECTION	WEIGHT	DEFLECTION	WEIGHT	DEFLECTION	WEIGHT	DEFLECTION	WEIGHT	DEFLECTION	
m	kg/m	mm	kg	mm	kg	mm	kg	mm	kg	mm					
4,0	735	9,4	1470	7,5	1102	9,6	735	8,9	609	9,6					
5,0	468	14,7	1172	11,8	879	15	586	14	486	15					
6,0	324	21,2	973	17	730	21,7	486	20,1	403	21,7					
7,0	237	28,9	830	23,1	622	29,5	415	27,4	344	29,5					
8,0	180	37,7	723	30,2	542	38,5	361	35,8	306	38,5					
9,0	141	47,7	656	38,2	479	48,8	319	45,3	265	48,8					
10,0	114	58,9	571	47,1	428	60,2	285	55,9	237	60,2					
11,0	93	71,3	515	57	386	72,8	257	67,7	213	72,8					
12,0	78	84,8	468	67,9	351	86,7	234	80,5	194	86,7					
13,0	65	99,5	428	79,7	321	101,7	214	94,5	177	101,7					
14,0	58	115,4	394	92,4	295	118	197	109,6	163	118					
15,0	48	132,5	364	106,1	273	135,4	182	125,8	151	135,4					



QUADRANGULAR

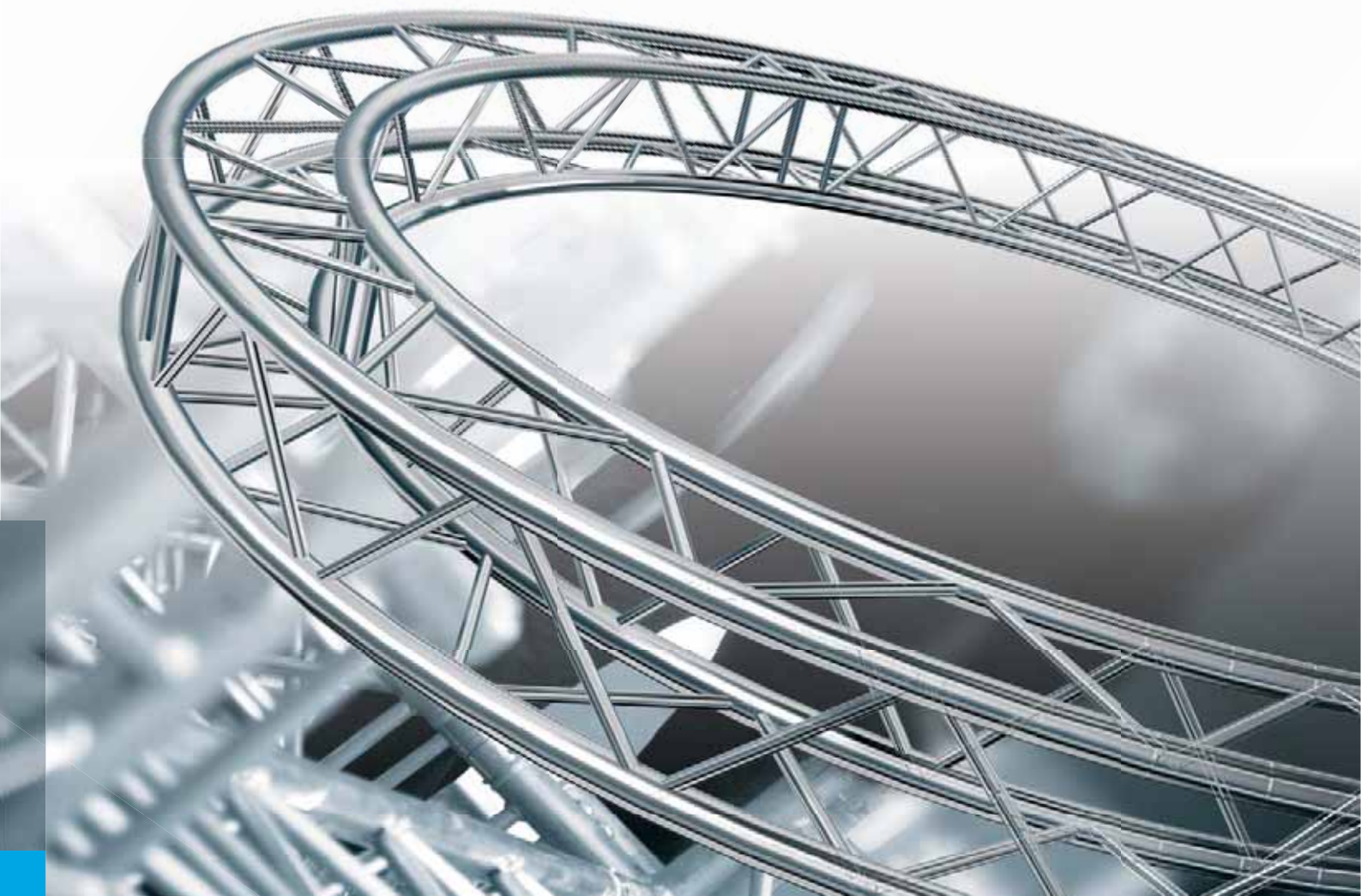






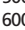



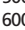



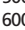

C21		2-way corner 90°	
	SERIES	WEIGHT	ART. NR.
	F24	6,5 kg	96211-21
	F34	5,6 kg	4121-21
	F44	6,0 kg	4172-21
500 500 90°			








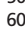





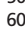





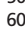
L30		3-way corner 90°	
	SERIES	WEIGHT	ART. NR.
	F24	3,3 kg	96212-30
	F34	7,6 kg	4126-30
	F44	7,6 kg	4173-30
500 500 500 90°			





















T35		3-way T	
	SERIES	WEIGHT	ART. NR.
	F24	2,5 kg	96213-35
	F34	7,0 kg	4129-35
	F44	6,8 kg	4175-35
F24 / F34	500	500	
F44	600	500	


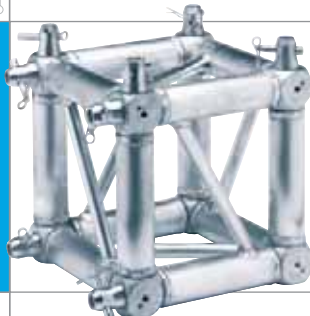
L40		4-way corner 90°	
	SERIES	WEIGHT	ART. NR.
	F24	3,4 kg	96214-40
	F34	9,9 kg	4130-40
	F44	8,5 kg	4176-40
F24 / F34	500	500	90°
F44	500	600	90°



	C41	4-way cross												
	<table border="1"> <thead> <tr> <th>SERIES</th> <th>WEIGHT</th> <th>ART. NR.</th> </tr> </thead> <tbody> <tr> <td>F24</td> <td>2,7 kg</td> <td>96215-41</td> </tr> <tr> <td>F34</td> <td>8,2 kg</td> <td>4133-41</td> </tr> <tr> <td>F44</td> <td>9,1 kg</td> <td>4177-41</td> </tr> </tbody> </table>	SERIES	WEIGHT	ART. NR.	F24	2,7 kg	96215-41	F34	8,2 kg	4133-41	F44	9,1 kg	4177-41	
SERIES	WEIGHT	ART. NR.												
F24	2,7 kg	96215-41												
F34	8,2 kg	4133-41												
F44	9,1 kg	4177-41												
	<table border="1"> <thead> <tr> <th></th> <th>500</th> <th>600</th> </tr> </thead> <tbody> <tr> <td>F24 / F34</td> <td></td> <td></td> </tr> <tr> <td>F44</td> <td></td> <td></td> </tr> </tbody> </table>		500	600	F24 / F34			F44						
	500	600												
F24 / F34														
F44														

	T55	5-way cross down												
	<table border="1"> <thead> <tr> <th>SERIES</th> <th>WEIGHT</th> <th>ART. NR.</th> </tr> </thead> <tbody> <tr> <td>F24</td> <td>3,6 kg</td> <td>96216-55</td> </tr> <tr> <td>F34</td> <td>10,4 kg</td> <td>4134-55</td> </tr> <tr> <td>F44</td> <td>9,1 kg</td> <td>4178-55</td> </tr> </tbody> </table>	SERIES	WEIGHT	ART. NR.	F24	3,6 kg	96216-55	F34	10,4 kg	4134-55	F44	9,1 kg	4178-55	
SERIES	WEIGHT	ART. NR.												
F24	3,6 kg	96216-55												
F34	10,4 kg	4134-55												
F44	9,1 kg	4178-55												
	<table border="1"> <thead> <tr> <th></th> <th>500</th> <th>600</th> <th>600</th> </tr> </thead> <tbody> <tr> <td>F24 / F34</td> <td></td> <td></td> <td></td> </tr> <tr> <td>F44</td> <td></td> <td></td> <td></td> </tr> </tbody> </table>		500	600	600	F24 / F34				F44				
	500	600	600											
F24 / F34														
F44														

	T61	6-way cross												
	<table border="1"> <thead> <tr> <th>SERIES</th> <th>WEIGHT</th> <th>ART. NR.</th> </tr> </thead> <tbody> <tr> <td>F24</td> <td></td> <td>96216-61</td> </tr> <tr> <td>F34</td> <td>12,5 kg</td> <td>4135-61</td> </tr> <tr> <td>F44</td> <td>11,3 kg</td> <td>4179-61</td> </tr> </tbody> </table>	SERIES	WEIGHT	ART. NR.	F24		96216-61	F34	12,5 kg	4135-61	F44	11,3 kg	4179-61	
SERIES	WEIGHT	ART. NR.												
F24		96216-61												
F34	12,5 kg	4135-61												
F44	11,3 kg	4179-61												
	<table border="1"> <thead> <tr> <th></th> <th>500</th> <th>500</th> <th>500</th> </tr> </thead> <tbody> <tr> <td>F24 / F34</td> <td></td> <td></td> <td></td> </tr> <tr> <td>F44</td> <td></td> <td></td> <td></td> </tr> </tbody> </table>		500	500	500	F24 / F34				F44				
	500	500	500											
F24 / F34														
F44														

		Box corner									
	<table border="1"> <thead> <tr> <th>SERIES</th> <th>WEIGHT</th> <th>ART. NR.</th> </tr> </thead> <tbody> <tr> <td>F24</td> <td>1,9 kg</td> <td>96218</td> </tr> <tr> <td>F34</td> <td>5,8 kg</td> <td>4136-1N</td> </tr> </tbody> </table>	SERIES	WEIGHT	ART. NR.	F24	1,9 kg	96218	F34	5,8 kg	4136-1N	
SERIES	WEIGHT	ART. NR.									
F24	1,9 kg	96218									
F34	5,8 kg	4136-1N									

		Baseplate								
	<table border="1"> <thead> <tr> <th>SERIES</th> <th>ART. NR.</th> </tr> </thead> <tbody> <tr> <td>F24</td> <td>96217</td> </tr> <tr> <td>F34</td> <td>4137</td> </tr> <tr> <td>F44</td> <td>4187</td> </tr> </tbody> </table>	SERIES	ART. NR.	F24	96217	F34	4137	F44	4187	
SERIES	ART. NR.									
F24	96217									
F34	4137									
F44	4187									

FOLDING



	F52F Straight	LINE LOAD				POINT LOADS					
		SPAN	WEIGHT	DEFLECTION	WEIGHT	DEFLECTION	WEIGHT	DEFLECTION	WEIGHT	DEFLECTION	WEIGHT
m	kg/m	mm	kg	mm	kg	mm	kg	mm	kg	mm	
7,2	477	21	2097	30,8	1558	46	1038	44	860	42	
9,6	320	38	1536	34	1152	48	768	42	638	41	
12	201	60	1208	56	906	66	604	50	501	51	
14,4	137	82,1	979	71	738	91	490	75	410	81	
16,8	98	117,5	821	100	616	131	411	91	341	91	
19,2	73	142,5	696	119	522	164	348	111,8	289	112	
21,6	55	180	596	158	447	203	298	149	247	149	
24	43	210	513	175	385	266	257	170	213	171	

	C21 2-way corner 90°	SERIES	WEIGHT	ART. NR.
		F52F	12,2 kg	5180-21

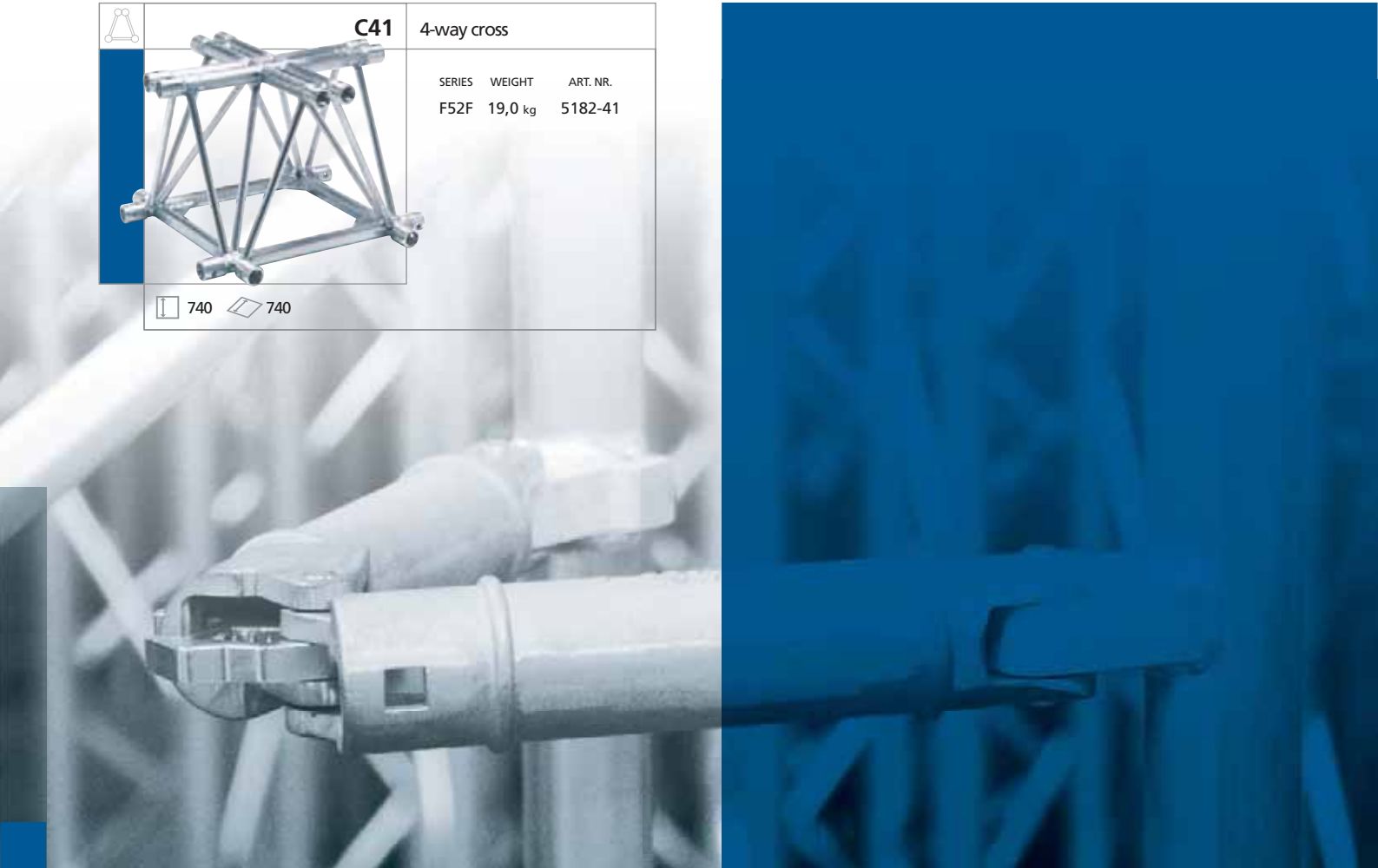
660
 660
 90°

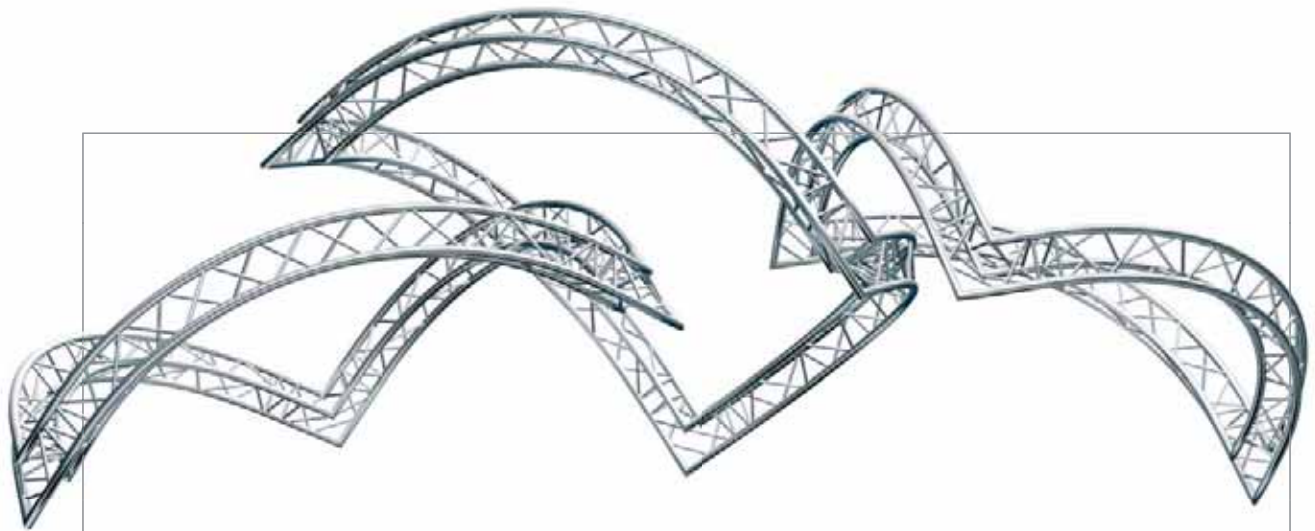
	T35 3-way horizontal T	SERIES	WEIGHT	ART. NR.
		F52F	15,7 kg	5181-35

740
 660

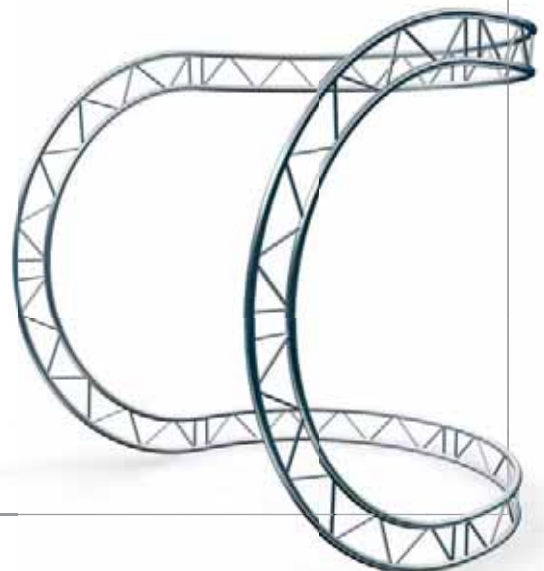
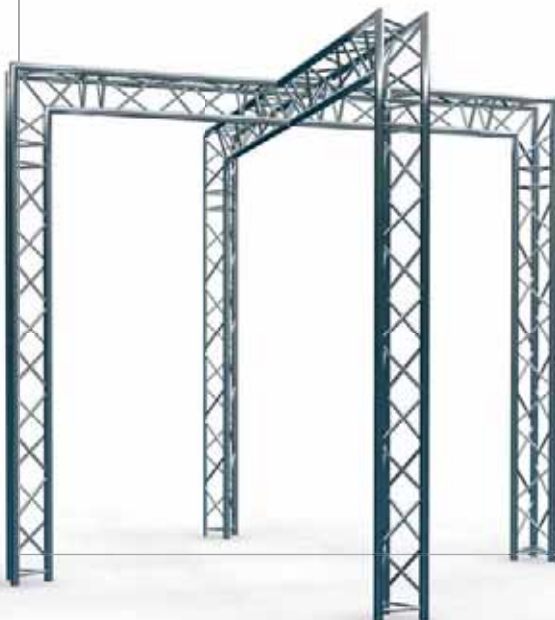
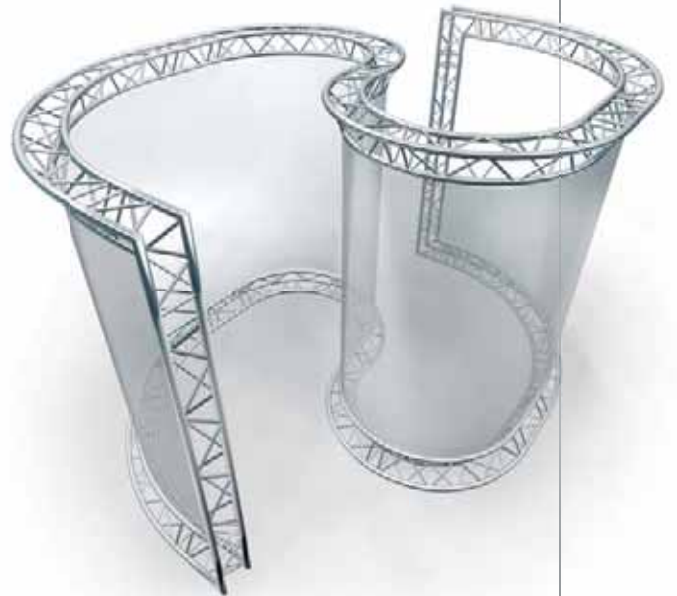
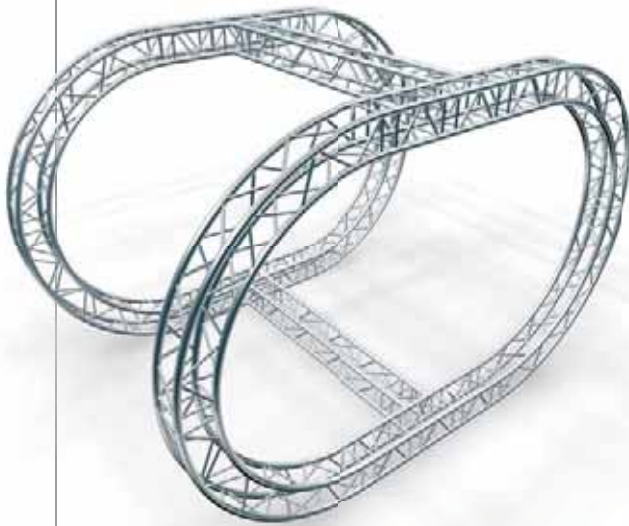
	C41 4-way cross	SERIES	WEIGHT	ART. NR.
		F52F	19,0 kg	5182-41

740
 740





Be creative with Global Truss.





Endless Possibilities.

As one of the leading manufacturers of truss systems, Global Truss gives you a world of possibilities.

Our products are used all over the globe in theatres, at concerts, exhibitions and many other events. Global Truss products are RWTÜV certified. This, combined with our extensive quality control, gives you the certainty of reliable and safe-to-use products.

