

G L O B A L T R U S S



T O W E R S Y S T E M

T O W E R

GGLO

Global Truss Tower System

In theatre and music, Global Truss is a household name. Our truss tower system, built with F34 and F34P elements, is used to create beautiful and impressive stage and roof constructions that are both easy to assemble and safe to use.

Using the universal components and accessories from Global Truss gives you endless possibilities that easily become reality, due to our combination of high quality products and competitive prices.

Strength and Precision

The new sleeve block from Global Truss is a fully bolted, structural element that is remarkably stronger than welded sleeve blocks. F32, F33, F34, F43 and F44 can easily be connected to the sleeve block. Can be delivered disassembled as construction kit.

49202-1 49209
F34 sleeve block F44 sleeve block

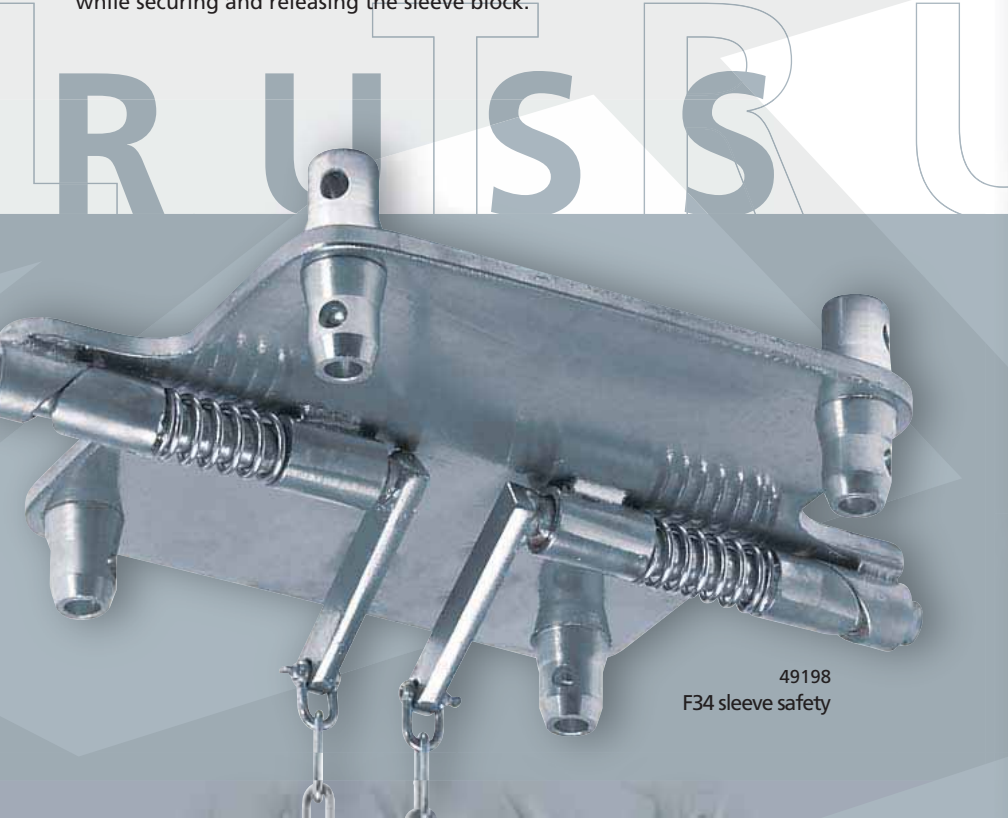


49201
Tower with base, sleeve,
top, 4 hinges, 1 x 4 meter
F34 and 1 x 1 meter F34.
Excl. hand chain hoist
and chain bag.

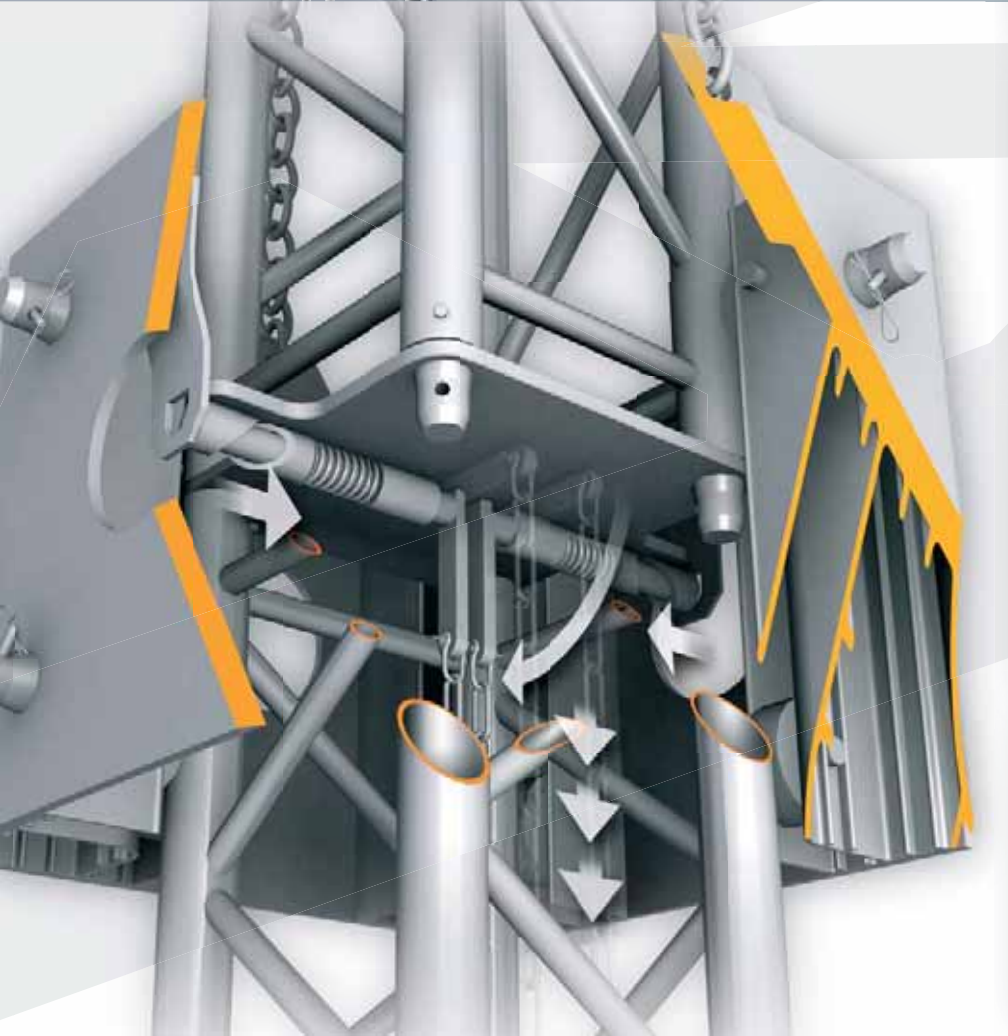
49199
F34 tower with base,
sleeve, top and 4 hinges.
Excl. hand chain hoist
and chain bag.

Safety Above All

Our patented solutions provide maximum safety and usability during assembly and disassembly. The new F34 safety module for the Global Truss tower system has a unique design that enables you to stand on the ground while securing and releasing the sleeve block.



49198
F34 sleeve safety



Hand chain hoist 1000 kg.

CHAIN	ART. NR.
3 m	49220-3
4 m	49220-4
5 m	49220-5
6 m	49220-6
7 m	49220-7
8 m	49220-8
9 m	49220-9
10 m	49220-10
11 m	49220-11
12 m	49220-12

Chain bag

ART. NR.
49220-k

Base black coated

ART. NR.
49205-2

Base galvanized

ART. NR.
49205-1

Top section for hand winch with safety chain

ART. NR.
49204-1

49204
Top section for elektro chain hoist also available

Top section for hand chain hoist with safety chain


ART. NR.
49204-2

Tower Accessories

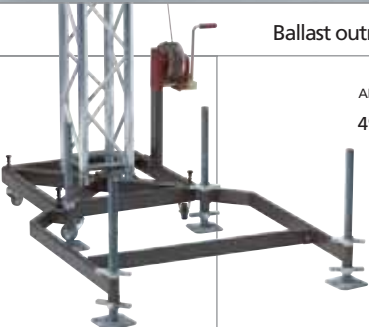
Outdoor outrigger		
	LENGTH	ART. NR.
	25 cm	49213


Half conical steel connector for sleeveblock	
	ART. NR.
	5010

Indoor outrigger		
	LENGTH	ART. NR.
	25 cm	49215
	75 cm	49216

Conical connector hinge		
	ART. NR.	
	Left	5029L
	Right	5029R

Indoor outrigger with corner brace		
	LENGTH	ART. NR.
	150 cm	49214

Ballast outrigger	
	ART. NR.
	49217

Hand winch, assembling plate and wire rope		
	LOAD	ART. NR.
	900kg	49218
	500kg	49219



Endless Possibilities.

As one of the leading manufacturers of truss systems, Global Truss gives you a world of possibilities.

Our products are used all over the globe in theatres, at concerts, exhibitions and many other events.

Global Truss has extensive quality control, that gives you the certainty of reliable and safe-to-use products.

